



Electric wire hoists 230 V / 50 Hz

Product information

Lightweight, powerful, and fast electric wire hoist with upper and lower limit switches. The lower hook is equipped with a swivel. The hoist is equipped with a double brake system. The control cable is 7 m and the power cable 5 m long. Also available with a longer control cable.

Optional wireless remote control:

- range 50 m (unobstructed visibility)
- functions: lift, lower and emergency stop
- IP65
- operating temperature -10 - (+)70°C
- size 190 x 70 x 50 mm
- 4 x AA batteries
- Product code: **VAINOSHKAUKO**

Features: IP54

Material: Steel

Marking: CE-marked

Finish: Painted, blue

Part code	WLL ton	Lifting height m	Rope Ø mm	Motor kW	Lifting speed m/min.	Duty rating % ED	Weight kg	Delivery time
5406VAINOSH230	0.23	30	5	1.3	19	35	21.5	7
5406VAINOSH300	0.3	60	5	1.3	12	35	28	7
5406VAINOSH500	0.5	30	7	1.8	12	35	28	7

Technical data

DIMENSIONS

Product	Control cable m	Electric cable m	Body width mm	Body depth mm	Body + chain min height mm
VAINOSH230	7	5	240	180	660
VAINOSH300	7	5	240	210	670
VAINOSH500	7	5	240		

SPARE PART STEEL WIRE ROPES

Wire rope dim.	Lenght m	End fitting	Wire rope product code	Suitable for hoist
5 mm	30	Thimble + preventer	VAINOSH230VA	VAINOSH230 <input type="checkbox"/>
5 mm	60	Thimble + preventer	VAINOSH300VA	VAINOSH300 <input type="checkbox"/>
7 mm	30	Thimble + preventer	VAINOSH500VA	VAINOSH500 <input type="checkbox"/>

SPARE PARTS

Spare part (product code)	Description	Suitable for hoist (product code/-s)
KAPULA1	Pendant control for VAINOSH230/-300/-500	VAINOSH230, VAINOSH300, VAINOSH500 <input type="checkbox"/>
VAINOSHKJOHT	Control cable 7 m, assembly Incl. cable and pendant control Plug in the other end	VAINOSH230, VAINOSH300, VAINOSH500 <input type="checkbox"/>
VAINOSHKAAP	Control cable extension, length 10 m Plugs in both ends	VAINOSH230, VAINOSH300, VAINOSH500 <input type="checkbox"/>
VAINOSHVJOHT	Power cable 5 m Plugs in both ends, different type	VAINOSH230, VAINOSH300, VAINOSH500 <input type="checkbox"/>
VAINOSH230AKO	Bottom hook set Incl. fixing pins	VAINOSH230 <input type="checkbox"/>
VAINOSH230YKO	Top hook set	VAINOSH230 <input type="checkbox"/>

VAINOSH300AKO	Bottom hook set Incl. fixing pins	VAINOSH300, VAINOSH500	□
VAINOSH300YKO	Top hook set	VAINOSH300, VAINOSH500	□
VAINOSHKAUKO	Cordless remote control	VAINOSH230, VAINOSH300, VAINOSH500	□
VAINOSH24	Bridge type regulator Part no. 24	VAINOSH230, VAINOSH300, VAINOSH500	
VAINOSH230PIST	Cable socket set Part nos. 7 and 12, incl. fasteners	VAINOSH230, VAINOSH300, VAINOSH500	

Also other spare parts available with a delivery time, ask our sales for more information

VAINOSH230

230V Electric wire hoists VAINOSH 230 components blueprint

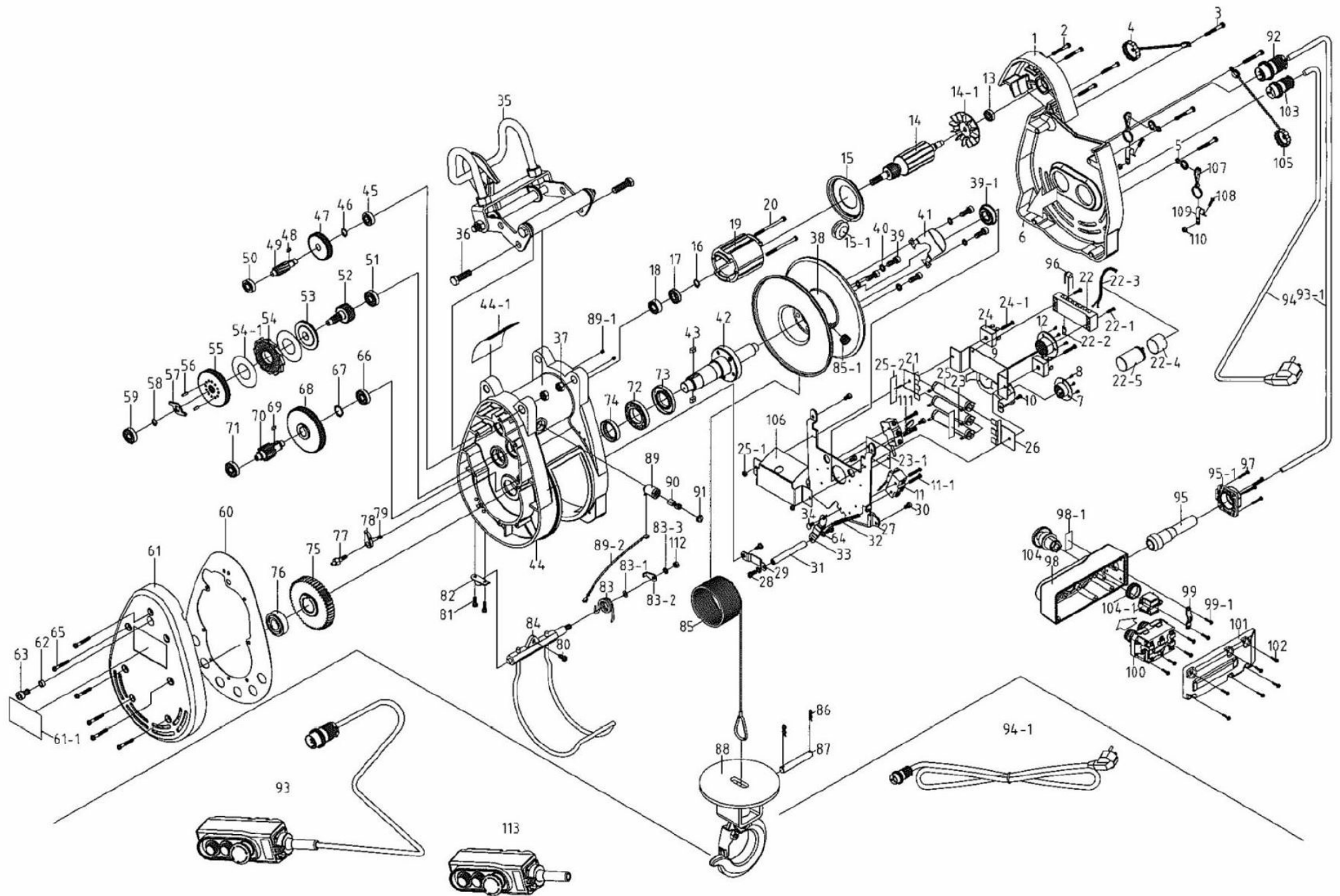


VAINOSH300

230V Electric wire hoists VAINOSH 300 components blueprint



VAINOSH500



Blueprint

