

## High lift pallet truck

---

### Product information

Pallet jack that lifts up to 800 mm to be used in industry, delivery firms etc. Equipped with PU wheels and 210° turning angle.

... [Read more](#)

---



**Features:** Wheels: PU

**Material:** Steel

**Marking:** CE-marked

**Finish:** Painted

## High lift pallet truck

### Technical data

Part code	WLL ton	Width of forks mm	Length of forks mm	Minimum height of fork mm	Max. lifting height mm	Weight kg
9001HAVA1SAKSI	1	550	1,150	0.8	800	110

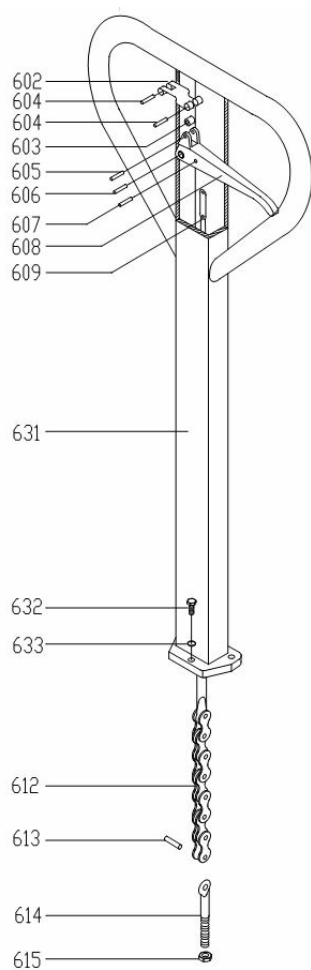
## SPARE PARTS

Spare part (product code)	Description	Suitable for pallet truck (product code)
HAVA1SAKISO	Steering (big) wheel, incl. bearings   Part no. 8 + 9	HAVA1SAKSI
HAVA1SAKEPYO	Front (loading) wheel, incl. bearings   Part no. 14 + 13	HAVA1SAKSI
HAVA1SAKTI	Gasket set	HAVA1SAKSI
HAVA1SAKJOU10	Piston spring   Part no. 10	HAVA1SAKSI
HAVA1SAKOHJAUSR	Guide wheel for scissor mechanism, 1 pc   Part no. 16	HAVA1SAKSI

Also other spare parts available with a delivery time, ask our sales for more information

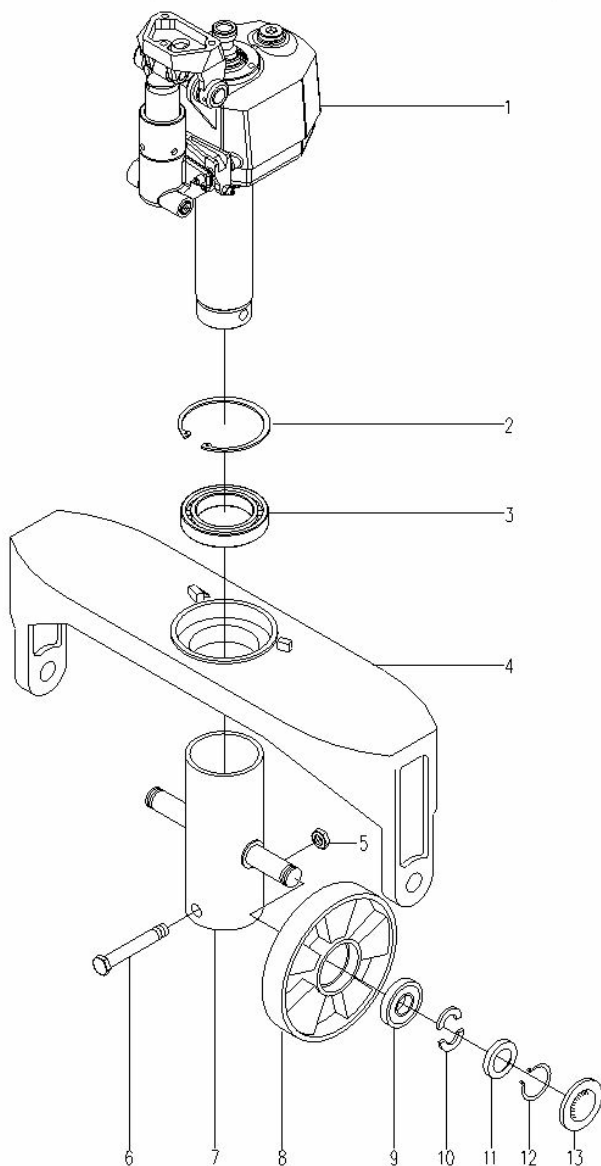
## HANDLE-ASSY

## High lift pallet truck



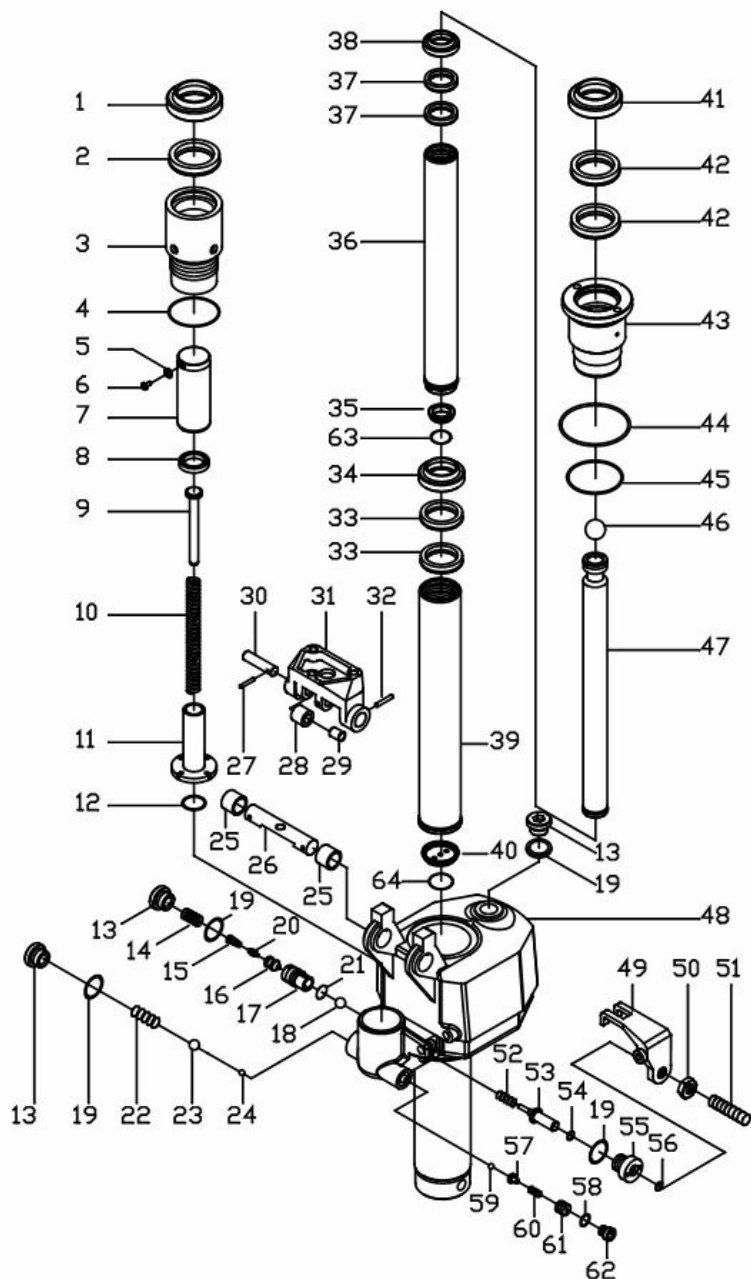
### STEERING-PUMP UNIT

## High lift pallet truck



### HYDRAULIC PUMP UNIT

## High lift pallet truck



### FRAME

## High lift pallet truck

